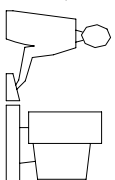
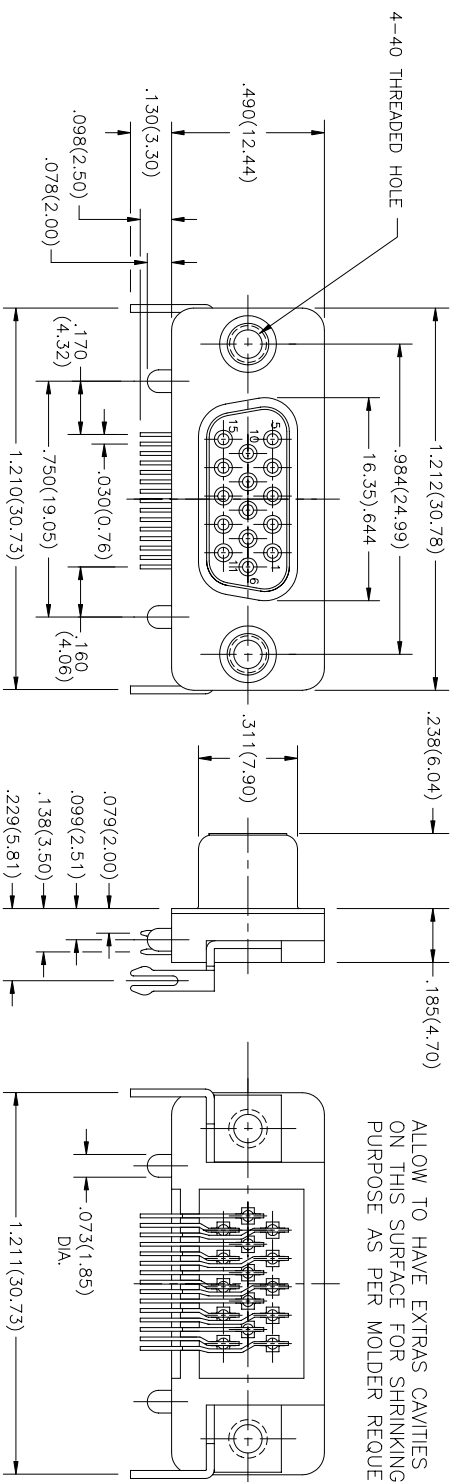


THIS IS A C.A.D. GENERATED DRAWING  
DO NOT MAKE MANUAL REVISIONS TO MASTER.



ALLOW TO HAVE EXTRAS CAVITIES  
ON THIS SURFACE FOR SHRINKING  
PURPOSE AS PER MOLDER REQUEST

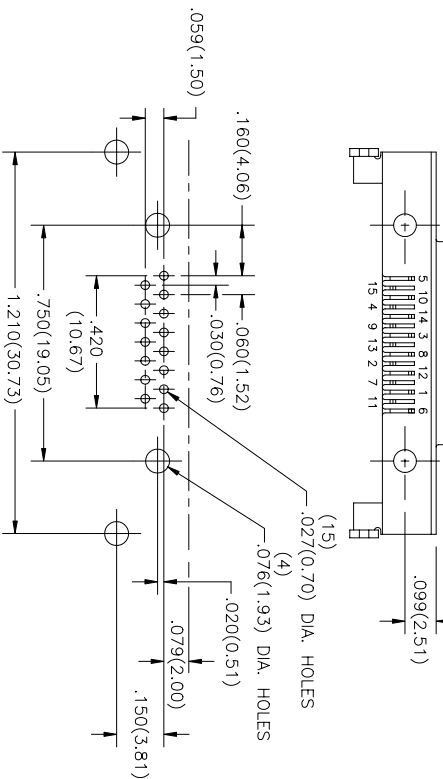


**MATERIALS AND FINISH**

- 1: STEEL, NICKEL PLATED
- 2: INSULATOR, NYLON 6T, COLOR PANTONE BLUE #2935U
- 3: CONTACTS: PHOSPHOR BRONZE, GOLD PLATED ON CONTACT AREA  
TIN ON TAILS OVER NICKEL
- 4: BOARD LOCKS, BRASS TIN PLATED
- 5: RIVETS, BRASS NICKEL PLATED

**SPECIFICATIONS**

CURRENT RATING: 1 AMP MAX.  
INSULATION RESISTANCE: 1000 MEGOHMS MIN. AT 500 VDC  
DWD: 500 VAC rms FOR 1 MINUTE  
CONTACT RESISTANCE: 30 MILLOHMS MAX.  
TEMPERATURE RATING: -40°C +230°C  
PROCESSING TEMPERATURE: +265°C FOR 10 SEC.  
CONTACT POSITION 9th RECESSED



634 SERIES HDD SUBMINIATURE CONNECTOR  
15 CONTACTS RECEPTACLE(SOCKET) RIGHT ANGLE ULTRA SLIM

DRAWN: F. BRIONES DATE: JUNE 20/05

CHECKED: DATE:

PART NUMBER

634-015-274-990

DRAWING NUMBER

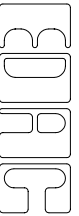
634-015-274-990

ISSUE

3



THIS SERIES FULLY CONFORMS TO THE  
EUROPEAN UNION DIRECTIVES 2002/95/EC  
AND 2002/96/EC FOR ROHS COMPLIANCY.



EDAC INC  
TORONTO, ONTARIO  
CANADA

YOUR CONNECTION TO QUALITY & SERVICE

THESE DRAWINGS AND SPECIFICATIONS  
ARE THE PROPERTY OF EDAC INC. AND  
SHALL NOT BE REPRODUCED, OR COPIED  
OR USED AS THE BASIS FOR THE  
MANUFACTURE OR SALE OF APPARATUS  
WITHOUT WRITTEN PERMISSION.